

TAKOTNA, ALASKA

ARCH CRS	Rwy Idg	3820
350°	TDZE	925
	Appt Elev	933

[USAF]

RNAV (GPS) RWY 35

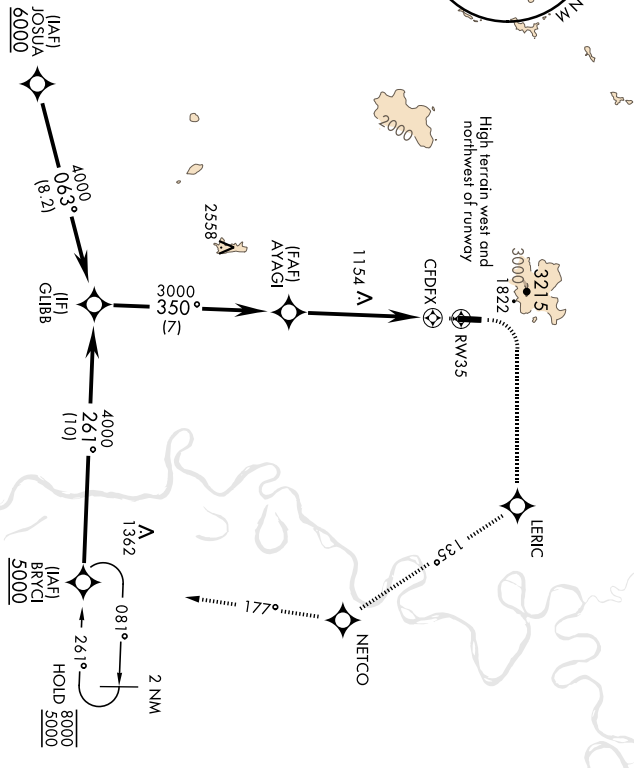
23334

TATALIUNA IRRS (PATL)

RNP APCH
 Circling not authorized to Rwy 17. Night Operations not authorized.

MISSED APPROACH: Do not exceed 165 KIAS until initial turn (completion). Climb to 1500 then climbing right turn to 5000 direct LERIC, track 135° to NETCO, track 177° to BRYCI and hold

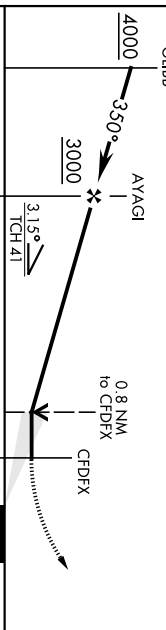
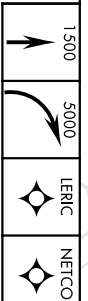
KENAI RADIO	UNICOM	AWOS-3
122.3	126.2 (CTAF) 364.2	



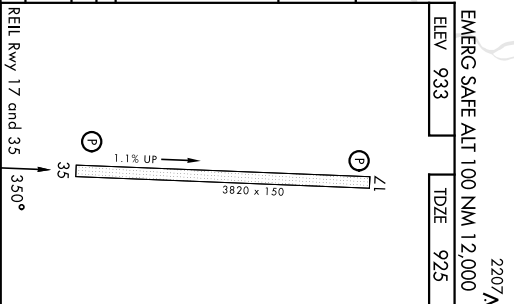
Uncontrolled Airspace below 1200' AGL within 4 NM of Tataliuna airport

NOT FOR CIVIL USE

MILITARY CERTIFIED AIRCREWS OR AUTHORIZED CONTRACT AIRCRAFT ONLY



CATEGORY	A	B	C	D
UNAV MDA	1500-1 1/2 (600-1 1/4)		1520-1 3/4 (595 (600-1 3/4))	NOT AUTHORIZED
CIRCLING	NOT AUTHORIZED			



ELEV	933	TDZE	925
------	-----	------	-----

EMERG SAFE ALT 100 NM 12,000

2207 A

TAKOTNA, ALASKA
Amdt 3 30NOV23

TATALIUNA IRRS (PATL)
RNAV (GPS) RWY 35

TAKOTINA, ALASKA

RNAV (GPS)-A

23334

[USAF]

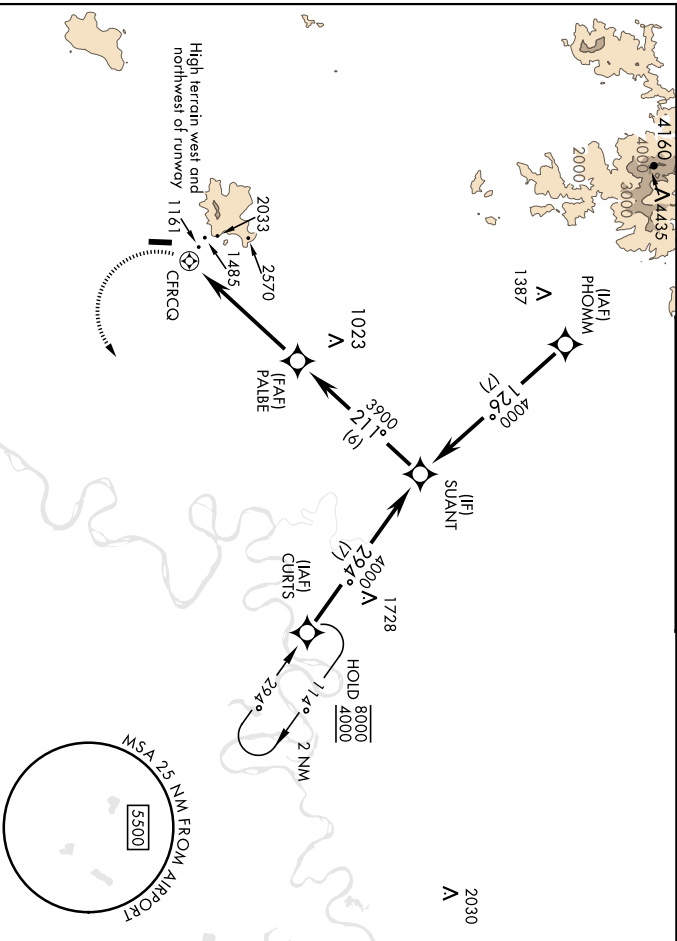
TATALUNA LRSS (PATL)

ARCH CRS	Rwy Idg	N/A
211°	TDE	N/A
	Apft Elev	933

RNP APCH - GPS
 * Circling NA to Rwy 17. Circling to Rwy 35 NA w of Rwy 17-35. Night Operations not authorized.

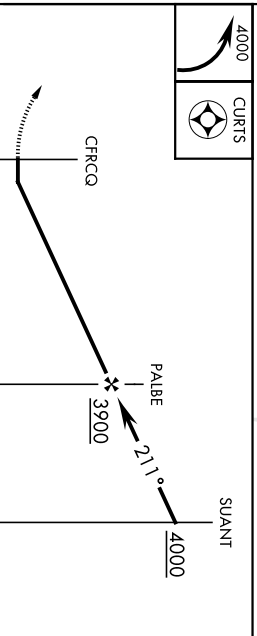
MISSED APPROACH: Climbing left turn to 4000 direct CURTS and hold.

KENAI RADIO	UNICOM	AWOS-3
122.3	126.2 (CTAF) 364.2	

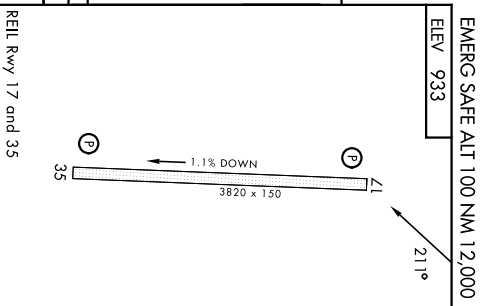


Uncontrolled Airspace below 1200' AGL within 4 NM of Tataluna airport
NOT FOR CIVIL USE

MILITARY CERTIFIED AIRCREWS OR AUTHORIZED CONTRACT AIRCRAFT ONLY



CATEGORY	A	B	C	D
CIRCLING*	1900-1¼ 967 (1000-1¼)	2440-1½ 1507 (1600-1½)	2920-3 1987 (2000-3)	NA



TAKOTINA, ALASKA
 Amnd 2 30NOV23

62° 54' N - 159° 59' W

TATALUNA LRSS (PATL)

RNAV (GPS)-A